

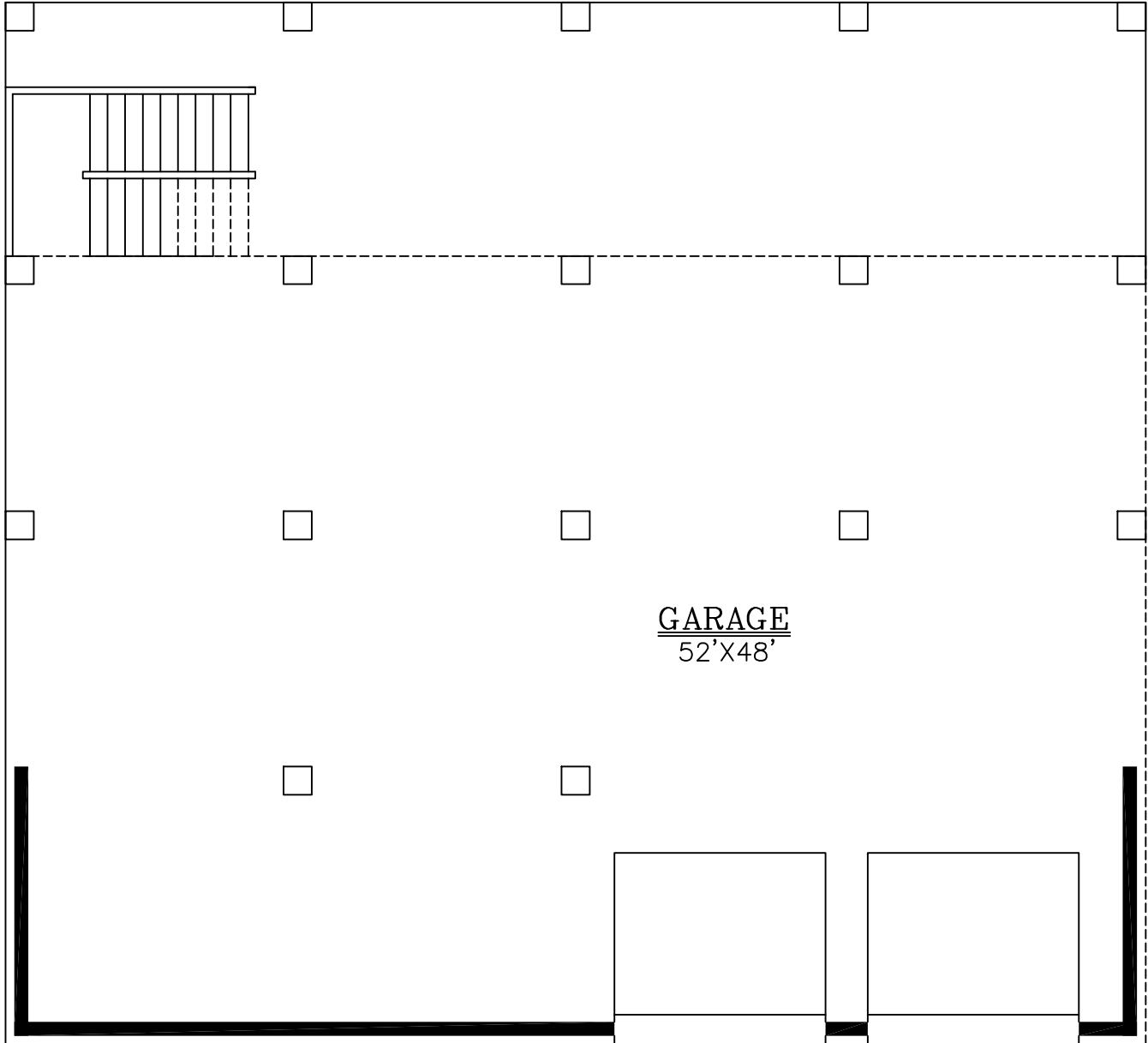


(210)658-9726
REF. #4405

COPYRIGHT 19

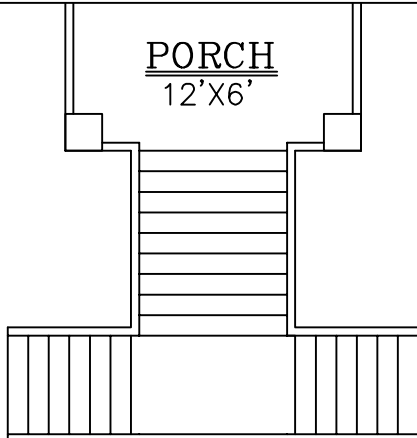
BRIAN SMITH DESIGNERS

DRAWINGS, PLANS AND SKETCHES ARE THE PROPERTY OF BRIAN SMITH DESIGNERS. PURCHASER'S RIGHT IS CONDITIONAL AND LIMITED TO A ONE TIME USE TO CONSTRUCT A SINGLE PROJECT. PRELIMINARY SKETCHES ARE PROHIBITED AS CONSTRUCTION DRAWINGS. UNAUTHORIZED USE OR REPRODUCTION OF THESE PLANS AND SKETCHES ARE STRICTLY PROHIBITED. VIOLATORS WILL BE PROSECUTED.



GARAGE
52'X48'

PORCH
12'X6'



SQUARE FOOTAGE:

LIVING	=	2016
GARAGE	=	2664
DECK	=	648
PORCH	=	72